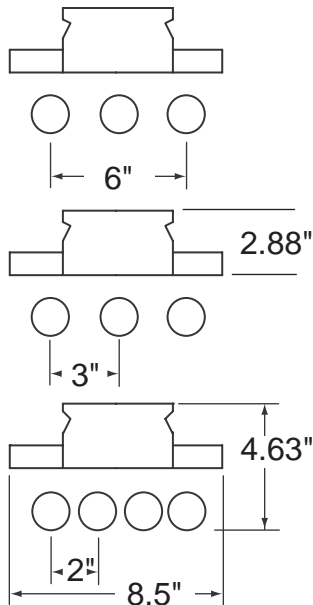
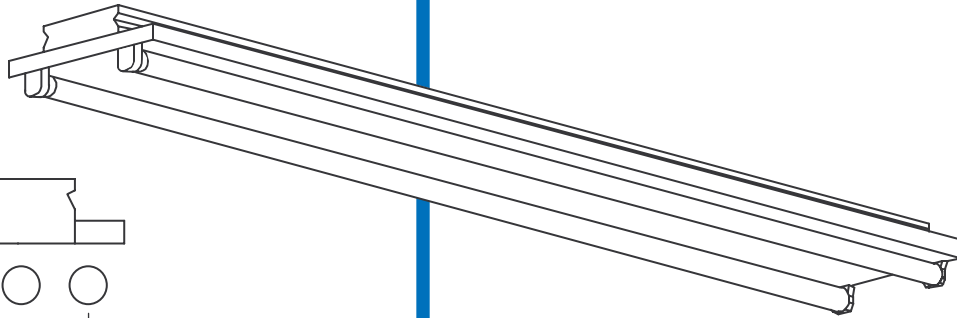


SERIES 207X

Deluxe Wide
Heavy Duty Channel



FEATURES:

- CROPPED END CAP CREATES CONTINUOUS ROW LAMP APPEARANCE
- 6" LAMP SPACING ON 2 LAMP MODELS
- 4' - 8' AND 16' (TANDEM WIRED)
- QUALITY DIE FORMED HOUSING AND BOX TURRET
- PROVIDED WITH COUPLER / ALIGNER TO INSURE STRAIGHT ROWS
- POWER SUPPLY K.O.'S OFFSET FROM FIXTURE CENTERLINE FOR EASE OF INSTALLATION
- DESIGNED FOR ONE OR TWO MOUNTING DEVICES FOR 8'
- POST PAINTED HIGH REFLECTANCE POWDER COAT FINISH
- OPTIONAL FACTORY INSTALLED BRANCH CIRCUIT WIRING ELIMINATES TIME CONSUMING ELECTRICAL CONNECTIONS

series 207X.ai
021002



UNION MADE IN THE USA.

ORDERING:

NOMINAL SIZE	LAMPS	CATALOG NUMBER
8½"X 4'	2-FO32	207X-248T8
8½"X 4'	3-FO32	207X-348T8
8½"X 4'	4-FO32	207X-448T8
8½"X 8'	4-FO32	207X-248-2T8
8½"X 8'	6-FO32	207X-348-2T8
8½"X 8'	8-FO32	207X-448-2T8
2-8½"X 8'	8-FO32	207X-248-2T8-2T8 (TW)
2-8½"X 8'	12-FO32	207X-348-2T8-2T8 (TW)
2-8½"X 8'	16-FO32	207X-448-2T8-2T8 (TW)
8½"X 8'	2-FO96	207X-296T8
8½"X 8'	3-FO96	207X-396T8
8½"X 8'	4-FO96	207X-496T8

INSERT VOLTAGE AT END OF CATALOG NUMBER

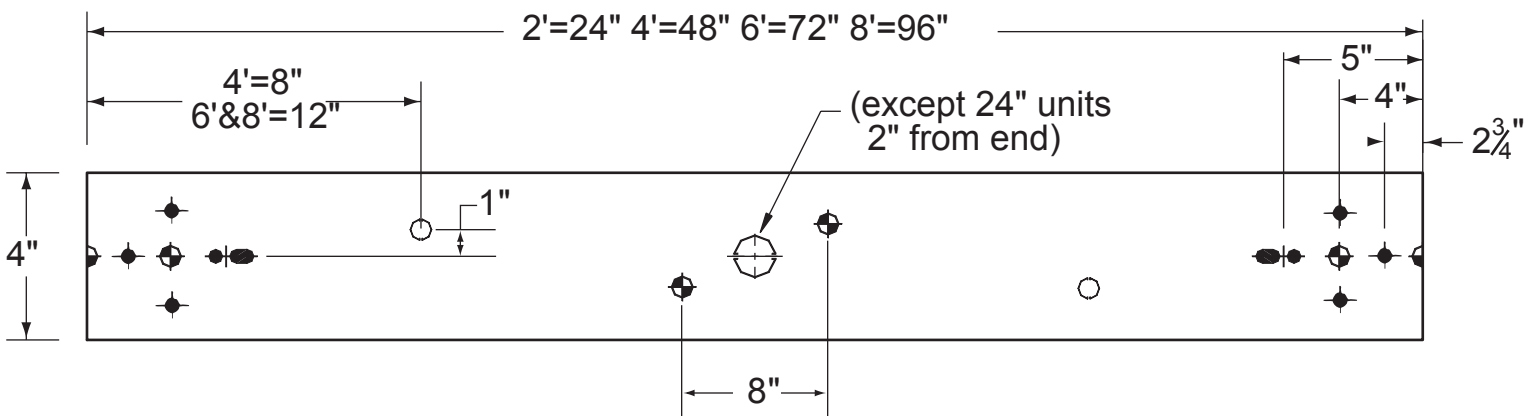
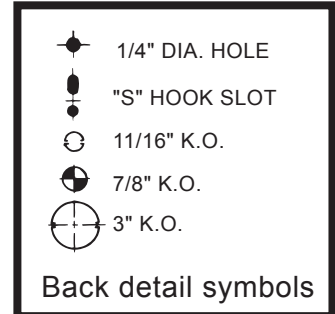
NOTES:

1. AVAILABLE IN T12 RAPID START (RS), SLIMLINE, HO AND VHO
2. SPECIFY ROW ARRANGEMENT WHEN ORDERING

MANUFACTURING
1715 KIBBY ROAD - MERCED - CALIFORNIA - 95340
(209) 723-9120 - FAX: (209) 723-9131

SALES OFFICE
14722 WICKS BLVD. - SAN LEANDRO - CALIFORNIA - 94577-6718
(510) 667-6950 - FAX: (510) 667-6959

BACK DETAIL



NOTE

All fixtures must be installed, wired and grounded in accordance with the National Electric Code and all other applicable codes.

!!! WARNING !!!

RISK OF FIRE OR ELECTRICAL SHOCK. ELECTRICAL PARTS MAY BE DAMAGED WHEN DRILLING OR USING "TEK" SCREWS FOR INSTALLATION OF MOUNTING HARDWARE. CHECK ENCLOSED WIRING AND COMPONENTS. USE CAUTION WHEN DRILLING "TEK" SCREWS INTO A BLIND AREA. TO PREVENT WIRING DAMAGE DO NOT EXPOSE WIRING TO SHARP EDGES.

