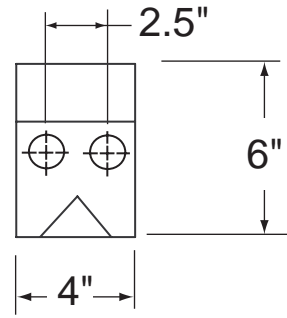
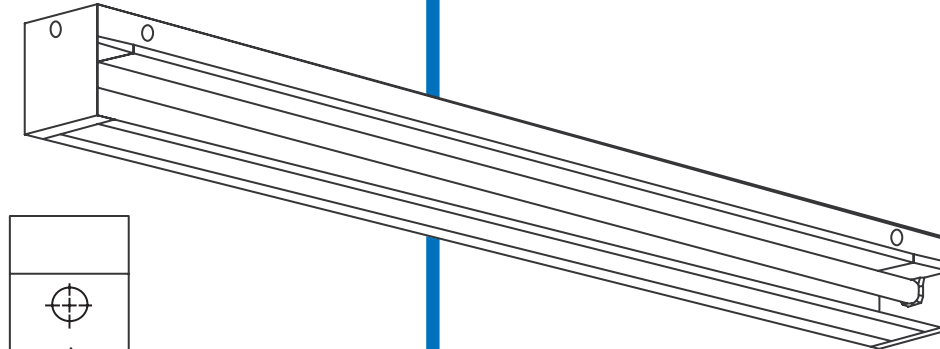


SERIES 179

Garage and Commercial
Protected Strip



UNION MADE IN THE USA.

ORDERING:

NOMINAL SIZE	LAMPS	CATALOG NUMBER
4" X 4'	1-FO32	179-148T8
4" X 4'	2-FO32	179-248T8
4" X 8'	2-FO32	179-148-2T8
4" X 8'	4-FO32	179-248-2T8
4" X 8'	1-FO96	179-196T8
4" X 8'	2-FO96	179-296T8
2-4" X 8'	2-FO96	179-196-2T8 (TW)

INSERT VOLTAGE AT END OF CATALOG NUMBER

FEATURES:

- REMOVABLE LONGITUDINAL STEEL ANTENNA / GUARD
- POST PAINTED HIGH REFLECTANCE POWDER COAT FINISH
- PROTECTED LAMPHOLDERS
- SURFACE OR SUSPENDED MOUNTING
- JOINS END TO END WITH OPTIONAL CHASE NIPPLE

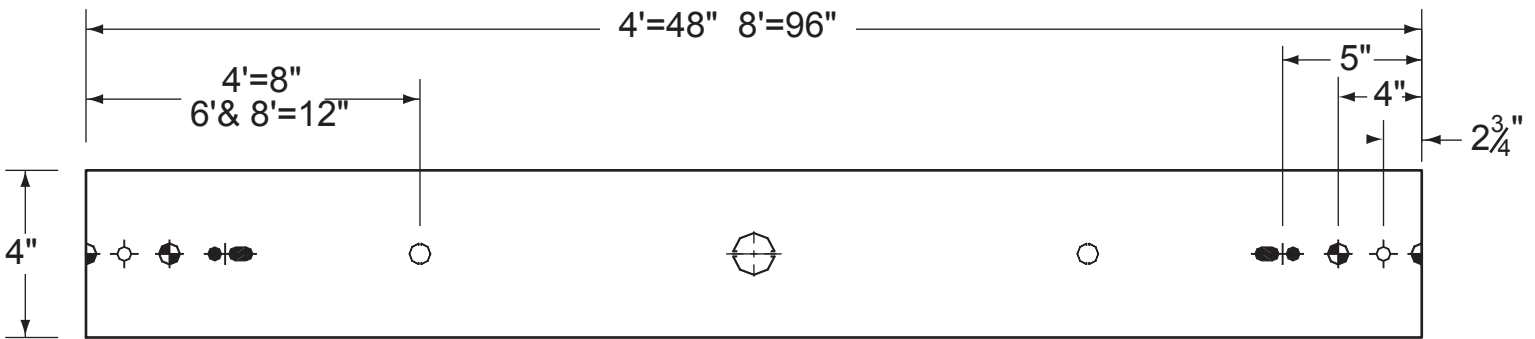
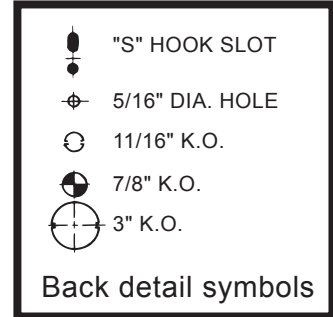
NOTES:

1. REMOVABLE 22 GAUGE ANTENNAE GUARD

MANUFACTURING
1715 KIBBY ROAD - MERCED - CALIFORNIA - 95340
(209) 723-9120 - FAX: (209) 723-9131

SALES OFFICE
14722 WICKS BLVD. - SAN LEANDRO - CALIFORNIA - 94577-6718
(510) 667-6950 - FAX: (510) 667-6959

BACK DETAIL



NOTES:
7/8" SIDE FEED KNOCK OUTS ARE PROVIDED

NOTE
All fixtures must be installed, wired and grounded in accordance with the National Electric Code and all other applicable codes.

!!! WARNING !!!
RISK OF FIRE OR ELECTRICAL SHOCK. ELECTRICAL PARTS MAY BE DAMAGED WHEN DRILLING OR USING "TEK" SCREWS FOR INSTALLATION OF MOUNTING HARDWARE. CHECK ENCLOSED WIRING AND COMPONENTS. USE CAUTION WHEN DRILLING "TEK" SCREWS INTO A BLIND AREA. TO PREVENT WIRING DAMAGE DO NOT EXPOSE WIRING TO SHARP EDGES.

